

CamRecord  
CL4000CXP



**HIGH-SPEED VIDEO CAMERA**  
with 25 Gbit/s high speed interface

**new**

**PRELIMINARY**

- > 500 images per second with full resolution
- > Sensor resolution 4 MPixel
- > Very compact housing
- > CoaxPress high-speed interface
- > Monochrome / Color
- > Real-time image data transfer
- > Very high light sensitivity

# CamRecord CL4000CXP

## Performance (Examples)

Framerate / second (maximum)	Resolution (H x V)	CoaxPress Labeling
500 fps	2304 x 1720	CXP-6, BNC 4x
560 fps	2048 x 1536	CXP-6, BNC 4x
750 fps	2048 x 1152	CXP-6, BNC 4x
800 fps	1920 x 1080	CXP-6, BNC 4x
100 000 fps Max. Speed	2304 x 4	CXP-6, BNC 4x
Other CoaxPress configurations:	on request (configuration examples: CXP-5, CXP-3, BNC 1x)	

## Model Overview

CR4000x2 /options	Description
/M or /C	Monochrome or color sensor
/FM or /CM	Nikon F-Mount or C-Mount

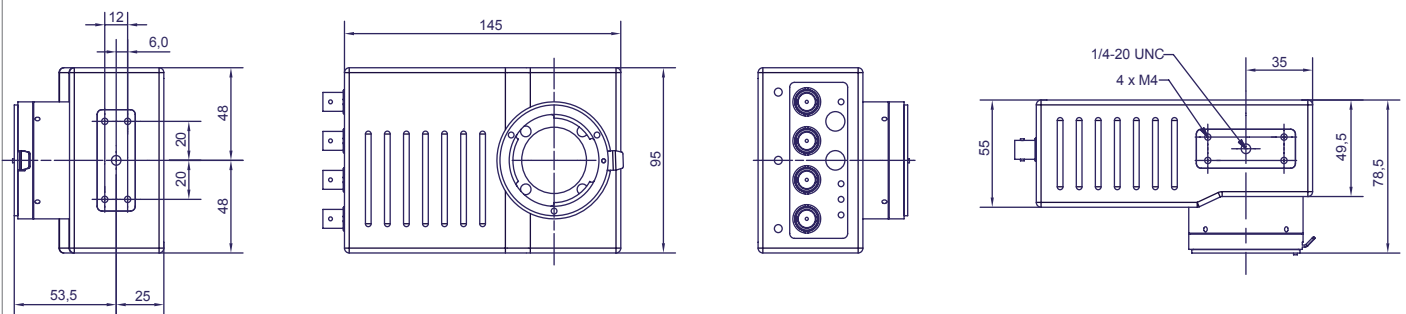
## Optional Accessories

Lenses, lights, tripods, cables and more accessories on request.

## Specifications

Sensor Resolution	2304 x 1720 pixel
Frame Rate @ Max. Sensor Res.	500 fps
Image Sensor	Progressive Scan CMOS
Exposure Time	2 $\mu$ s - 1/Framerate
Active Area	16,13 mm x 12,04 mm
Sensor Diagonal Dimension	20,12 mm
Pixel Size	7 $\mu$ m
A/D Conversion	10 bit
Dynamic	8 bit
Sensitivity	9000 bits / lux*second (monochrome)
Shutter Efficiency	global electronic shutter, min. 2 $\mu$ s exposure time / > 99.9 %
Synchronization	internal, external
Interface	CoaxPress max. CXP-6 BNC 4x
Power	24 VDC / 12 W CoaxPress or external supply
Lens Mount	Nikon F-Mount (optional C-Mount)
Weight	1050 g
Operating Temperature	0 .. 40°C
Humidity	< 80 % relative, non-codensed
Dimensions	145 mm x 95 mm x 78,5 mm
Conformity	CE, RoHS
Scope of delivery	Camera CL4000CXP, manual,

Configuration: F-Mount



The information given herein is believed to be reliable, however Optronis makes no warranties as to its accuracy or completeness. Data sheet is subject to modifications at any time. 06/2011

**Optronis**

Make time visible

**Optronis GmbH**

Honsellstr. 8  
77694 Kehl, Germany

Telefon +49 (0) 7851 / 9126-0  
Telefax +49 (0) 7851 / 9126-10

E-Mail: [info@optronis.com](mailto:info@optronis.com)  
[www.optronis.com](http://www.optronis.com)