

MACHINE VISION CAMERA

# CamPerform

CP70-16-M/C-148



METROLOGY AND HIGH SPEED MACHINE VISION  
MOTION ANALYSIS  
BROADCAST

- 148 fps with 4 672 x 3 416 pixels
- Global shutter with low noise pixel
- New DIN 1.0/2.3 connectors with thread lock
- CoaXPress interface with 25 Gbit/s
- Power and trigger via CoaXPress
- Microsecond and frame counter

# CamPerform CP70-16-M/C-148

**Optronis**

Make time visible

## FEATURES

The CP70-16-M/C-148 is a very high resolution camera with low noise pixels. Frame rate increase is possible by vertical but also horizontal resolution reduction. This makes the camera a flexible tool for many applications and measurement tasks.

Firmware features

- Dual ROI
- Analogue gain adjustment (coarse and fine)
- Analogue offset adjustment
- Hot pixel correction (customer activatable)
- Flat field correction (FFC)
- Framenumber and Microsecond counter on image

## SPECIFICATIONS

Sensor type	LUX160, Global Shutter
Resolution	4 672 pixel x 3 416 pixel
Frame rate (full resolution)	20 .. 148 fps
Exposure time	4 $\mu$ s .. 1 / frame rate
Active area / Diagonal	18.22 mm x 13.32 mm / 22.57 mm
Pixel size	3.9 $\mu$ m x 3.9 $\mu$ m
A/D conversion	8 Bit
Sensitivity (sensor)	5 V/lux·s @ 550 nm
Synchronization	internal, external, CoaXPress
Synchronization signals	Synch IN and Synch OUT, TTL level, electrically isolated
Interface	CoaXPress 1.1 (4 ch., CXP-6) DIN 1.0/2.3 connectors
Power	<10 W, PoCXP, ext.
Operating ambient temperature	0 .. +40°C / 32 .. 104°F
Weight	400 g without mount
Dimensions	85 mm x 85 mm x 49 mm (3D model data available)

## EMVA1288 measurements (v3.1 typ. preliminary)

Dynamic range	55 dB
Saturation capacity	7 800 e <sup>-</sup>
Temporal dark noise	10 e <sup>-</sup>
System gain	34 e <sup>-</sup> /DN
Signal-to-Noise Ratio	39 dB
DSNU	135 e <sup>-</sup>
PRNU	2 %
Non-linearity error $ LE_{min} ,  LE_{max} $	1 % (0.2% EMVA1288 v3.0)

## PERFORMANCE (EXAMPLES)

Resolution (HxV)	Frame rate	Resolution (HxV)	Frame rate
4 672 x 3 416	148 fps	4 672 x 512	988 fps
4 080 x 3 072	187 fps	4 672 x 256	1 968 fps
4 080 x 2 048	281 fps	4 672 x 128	3 907 fps
2 048 x 1 024	1 012 fps	4 672 x 32	14 939 fps
1 024 x 512	2 021 fps	2 048 x 32	30 557 fps

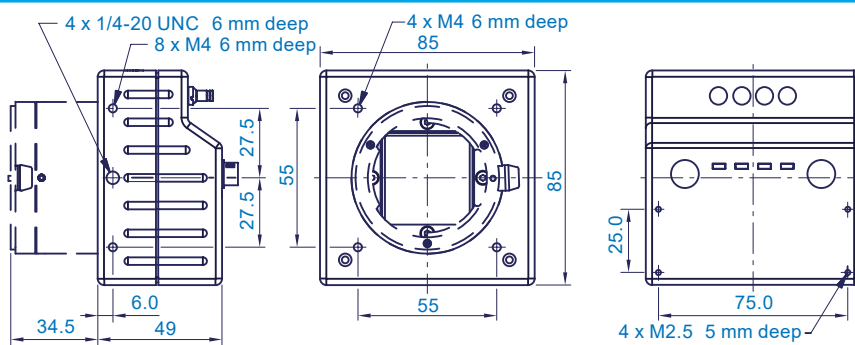
## MODELS

CP70-16-M-148	monochrome Camera
CP70-16-C-148	color Camera
Scope of delivery	Camera, brief introduction

## ACCESSORIES

CP-FM	F-Mount lens adapter
CP-CM	C-Mount lens adapter
CP-FMG	G-Mount lens adapter
CP-M42	M42 Mount lens adapter
CPH4-PSA	Power supply
CPH6-PTC	Pigtail cable
CPH6-USB	Programming cable

## TECHNICAL DRAWING



## CONTACT INFORMATION

Optronis GmbH  
Ludwigstraße 2  
77694 Kehl  
Germany

Phone: +49 7851 91 26 - 0  
Fax: +49 7851 91 26 - 10  
info@optronis.com  
www.optronis.com

The information given herein is believed to be reliable, however Optronis makes no warranties as to its accuracy or completeness. Data sheet is subject to modifications at any time. Version C