

Optronis

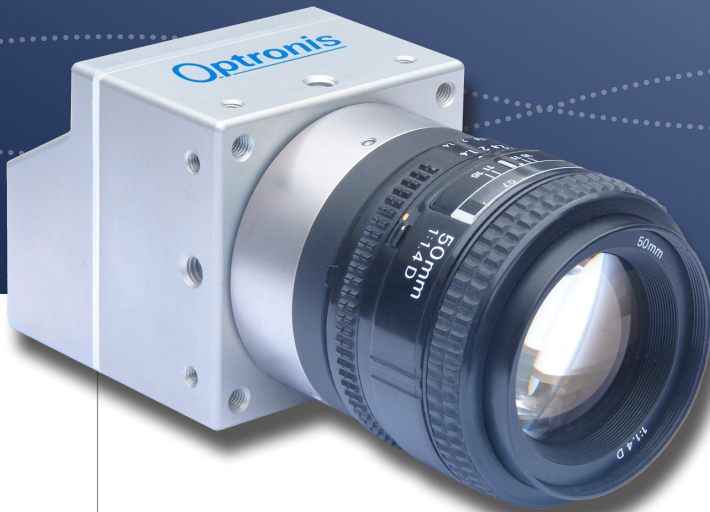
Make time visible

PRELIMINARY

CAMPERFORM-CYCLONE SERIES

Cyclone-16-300

High-Speed Machine Vision Camera



CXP-12

- METROLOGY AND HIGH SPEED MACHINE VISION
- LASER LINE PROFIOMETRY
- AUTOMATED OPTICAL INSPECTION (AOI)

- 293 fps with 4 672 x 3 416 pixels
- Global shutter with low noise pixel
- Micro-BNC (HD-BNC™) connectors
- CoaXPress V2.0 interface with 4 x 12.5 Gbit/s
- Power and trigger via CoaXPress
- Microsecond and frame counter

www.optronis.com

Cyclone-16-300 High-Speed Machine Vision Camera **Optronis**

Make time visible

FEATURES

The Cyclone-16-300 is a high resolution camera with low noise pixels. It is part of Optronis CamPerform-Cyclone series for demanding machine vision applications. Reducing vertical resolution allows increased frame rate.

- 4 672 x 3 416 pixel resolution
- low noise pixel
- frame rate increases with vertical window size reduction

Firmware features

- Analogue gain adjustment
- Analogue offset adjustment
- Hot pixel correction (customer activatable)
- LUT factory set or customer definition
- Framenumber and Microsecond counter on image

SPECIFICATIONS

Sensor type	LUX160, Global Shutter
Resolution	4 672 pixel x 3 416 pixel
Frame rate (full resolution)	20 .. 2 84 fps
Exposure time	4 µs .. 1 / frame rate
Active area / Diagonal	18.22 mm x 13.32 mm / 22.56 mm
Pixel distance	3.9 µm x 3.9 µm
A/D conversion	8/10 Bit
Sensitivity (sensor)	5 V/lux·s @ 550 nm
Quantum efficiency (sensor)	>45 % @ 550 nm
Synchronization	internal, external, CoaXPress
Synchronization signals	Synch IN and Synch OUT, TTL level, electrically isolated
Interface	CoaXPress 2.0 (4 ch., CXP-12) Micro-BNC (HD-BNC) connectors
Power	12 W, PoCXP, ext.
Temperature Ranges	
- operation, amb., no cooling	0 .. +30°C / 32 .. 86°F
- operation, amb., with CY-HIS	0 .. +40°C / 32 .. 104°F
- operation, amb., with CY-FAN	0 .. +55°C / 32 .. 131°F
- operation, case temperature	0 .. +70°C / 32 .. 158°F
Weight	400 g w/o mount, w/o cooling
Dimensions	65 mm x 65 mm x 71 mm (3D model data available)

EMVA1288 measurements (v3.1 typ.)

Dynamic range	54 dB
Saturation capacity	8 000 e ⁻
Temporal dark noise	11 e ⁻
System gain	33 e ⁻ /DN
Signal-to-Noise Ratio	38 dB

PERFORMANCE (EXAMPLES, 8 BIT, SEE ALSO FRAME RATE CALCULATOR)

Resolution (HxV)	Frame rate	Resolution (HxV)	Frame rate
4 672 x 3 416	293 fps	4 672 x 3 072	326 fps
2 304x 1720	600 fps	4 672 x 2048	488 fps
2 304 x 1024	1004 fps	4 672 x 256	3 782 fps
1024 x 512	1 990 fps	4 672 x 32	23 947 fps
1 024 x 8	57 653 fps	4 672 x 16	38 673 fps

MODELS

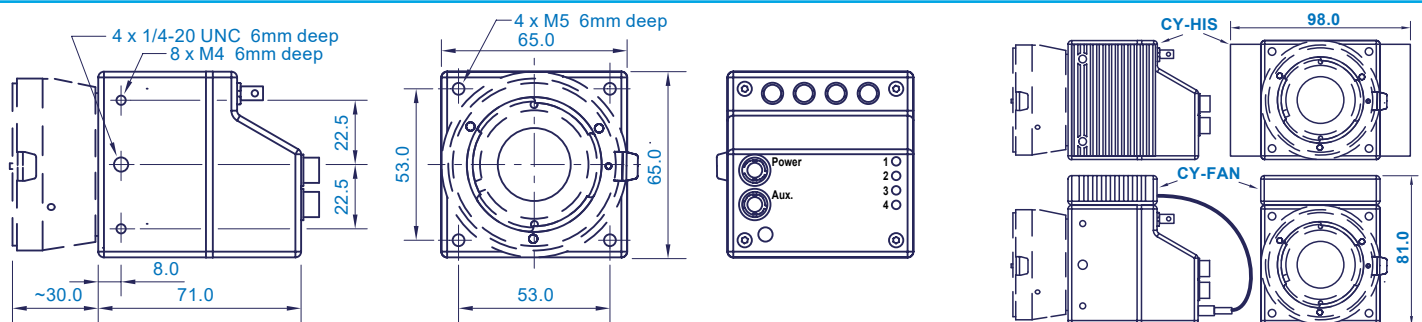
Cyclone-16-300-M	monochrome Camera
Cyclone-16-300-C	color Camera
Scope of delivery	Camera, brief introduction

ACCESSORIES

CY-CM	C-Mount lens adapter
CY-FM	F-Mount lens adapter
CY-M42	M42 Mount lens adapter
CPH6-PTC	Pig tail cable for synch
CPH6-USB	Programming Cable
CY-HIS	Heat Sink
CY-FAN	Cooling Fan



TECHNICAL DRAWINGS



CONTACT INFORMATION

Optronis GmbH
Ludwigstraße 2
77694 Kehl
Germany

Phone: +49 7851 91 26 - 0
Fax: +49 7851 91 26 - 10
info@optronis.com
www.optronis.com

The information given herein is believed to be reliable, however Optronis makes no warranties as to its accuracy or completeness. Data sheet is subject to modifications at any time. 03.21